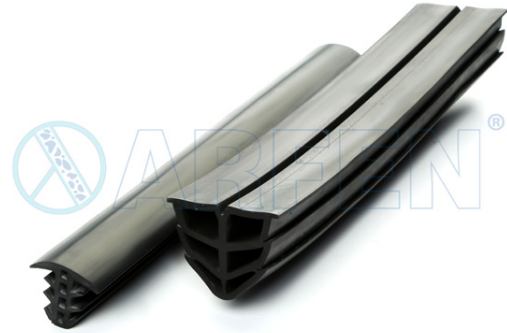


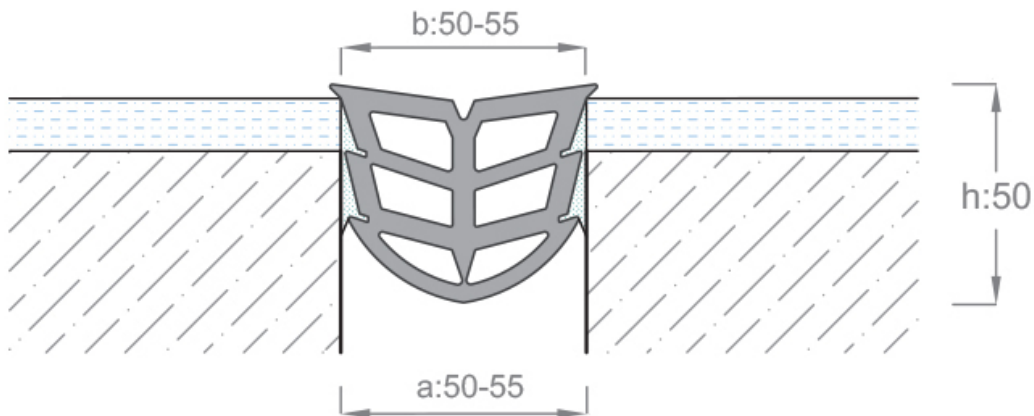
AR500-02A DATA SHEET

- Thermoplastic
- Easy onsite installation.
- Multi directional movement.
- Designed for use in parking areas and external.



- ❖ Standard colors: black, grey and cream
- ❖ Production length is 3 mt lengths and customize
- ❖ If customer wants more than 15 meters, please ask for our technical advice
- ❖ For fire and water barriers installation please ask for our technical advice.

Product Code	Joint Width	Total Movement	Installation Depth
AR 500-02A	50-55 mm	(-50/+40) %	50 mm



1.STEP: Concrete surface should be cleaned.



2.STEP: Dilatation gap has to be exactly straight.



3.STEP: Special rubber joint profile attached (stick on) with hybrid sealant.



TPE Properties

	Value	Unit	Standard
Physical			
Hardness	65	SHORE A	ISO 868 (3 second)
Density	1,21	gr / cm3	ISO 1183 1-A
Brittleness Point	-55	°C	*
Mechanical			
100% Modulus	1,85	Mpa	ISO 37, DIN 53504
300% Modulus	2,50	Mpa	ISO 37, DIN 53504
Tensile Strength At Break	4,20	Mpa	ISO 37, DIN 53504
Elongation at Break	600	%	ISO 37, DIN 53504
Aging			
Compression Set (72h/23°C)	39	%	ASTM D 395-89-B
Compression Set (22h/70°C)	65	%	ASTM D 395-89-B
Thermal			
Max. Dynamic Service Temperature	90	°C	*
Max. Static Service Temperature	135	°C	*
Environmental Resistance			
Ozone	Excellent		
Water	Excellent		
Alcohol	Excellent		
Olive Oil	Fair		
Sulphuric Acid	Good		
Detergent	Good		

