

AR605 SERIES DATA SHEET

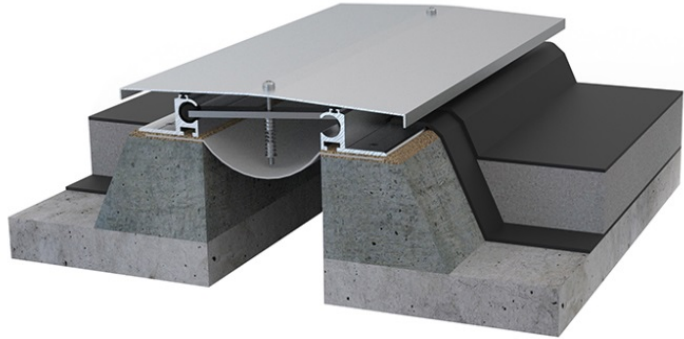
Roof and Parapet Expansion Joint Profile

-Roof to roof expansion joint profile.

-Extruded aluminium leg and aluminium plate, anodized (Standard) or Rall colors (Special condition)

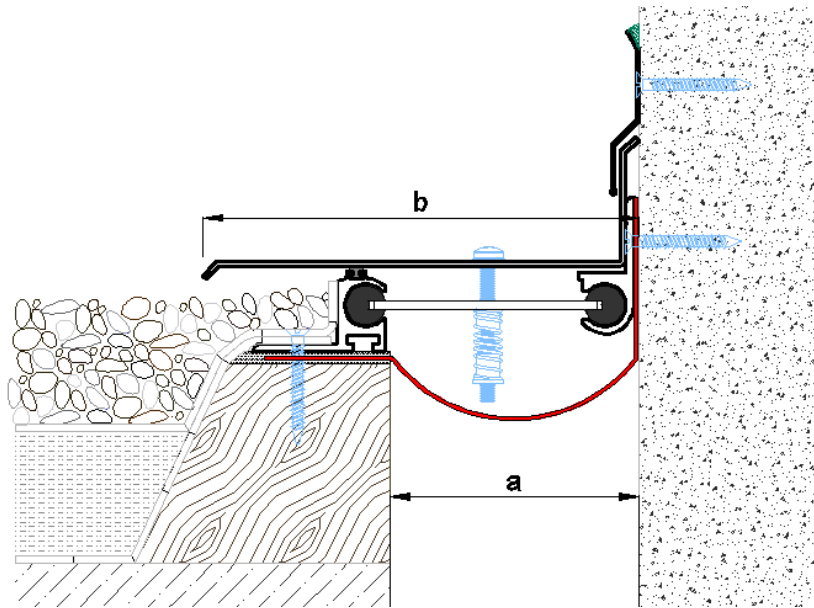
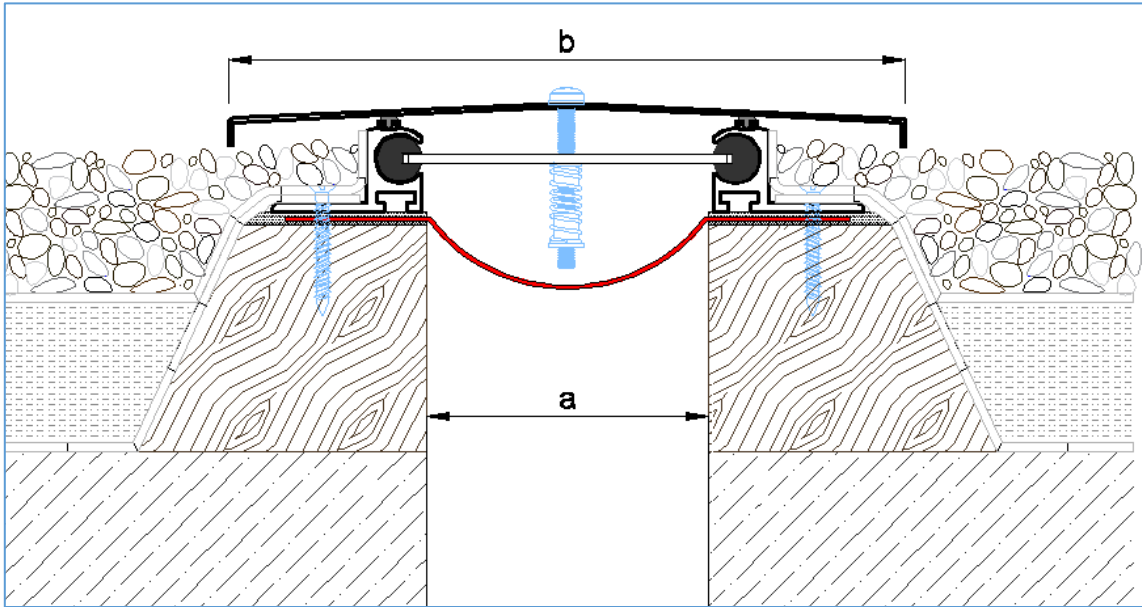
-Compatible with parapet application on expansion joint line.

-HYDROFLEX waterproofing tape is optional.



- ❖ Profile length: 3 lm.
- ❖ For fire and water barriers installation, please ask for our technical advice.

Profile Code	Joint Width(a)	Total Movement	Top Surface Width(b)
AR605-050	50mm	± 25mm	189mm
AR605-050K	50mm	± 25mm	125mm
AR605-100	100mm	± 50mm	239mm
AR605-100K	100mm	± 50mm	175mm
AR605-150	150mm	± 75mm	289mm
AR605-150K	150mm	+ 50mm/-75mm	225mm
AR605-200	200mm	± 100mm	339mm
AR605-200K	200mm	+ 50mm/-100mm	275mm
AR605-250	250mm	± 100mm	389mm
AR605-250K	250mm	+ 50mm/-100mm	325mm
AR605-300	300mm	± 100mm	439mm
AR605-300K	300mm	+ 50mm/-100mm	375mm



Aluminium Alloy 6063.T5 Chemical Properties

	Si	Fe	Cu	Mn	Mg	Zn	Ti	Cr
Standard of 6063T5	0.20 - 0.60	Max 0.35	Max 0.10	Max 0.10	0.45 - 0.90	Max 0.10	Max 0.10	Max 0.10

Aluminium Alloy 6063.T5 Physical Properties

Property	Value
Density	2.70 Kg/m ³
Melting Point	600 °C
Thermal Expansion	23.5 x 10 ⁻⁶ /K
Modulus of Elasticity	69.5 GPa
Thermal Conductivity	200W/m.K
Electrical Resistivity	0.035 x 10 ⁻⁶ Ω .m